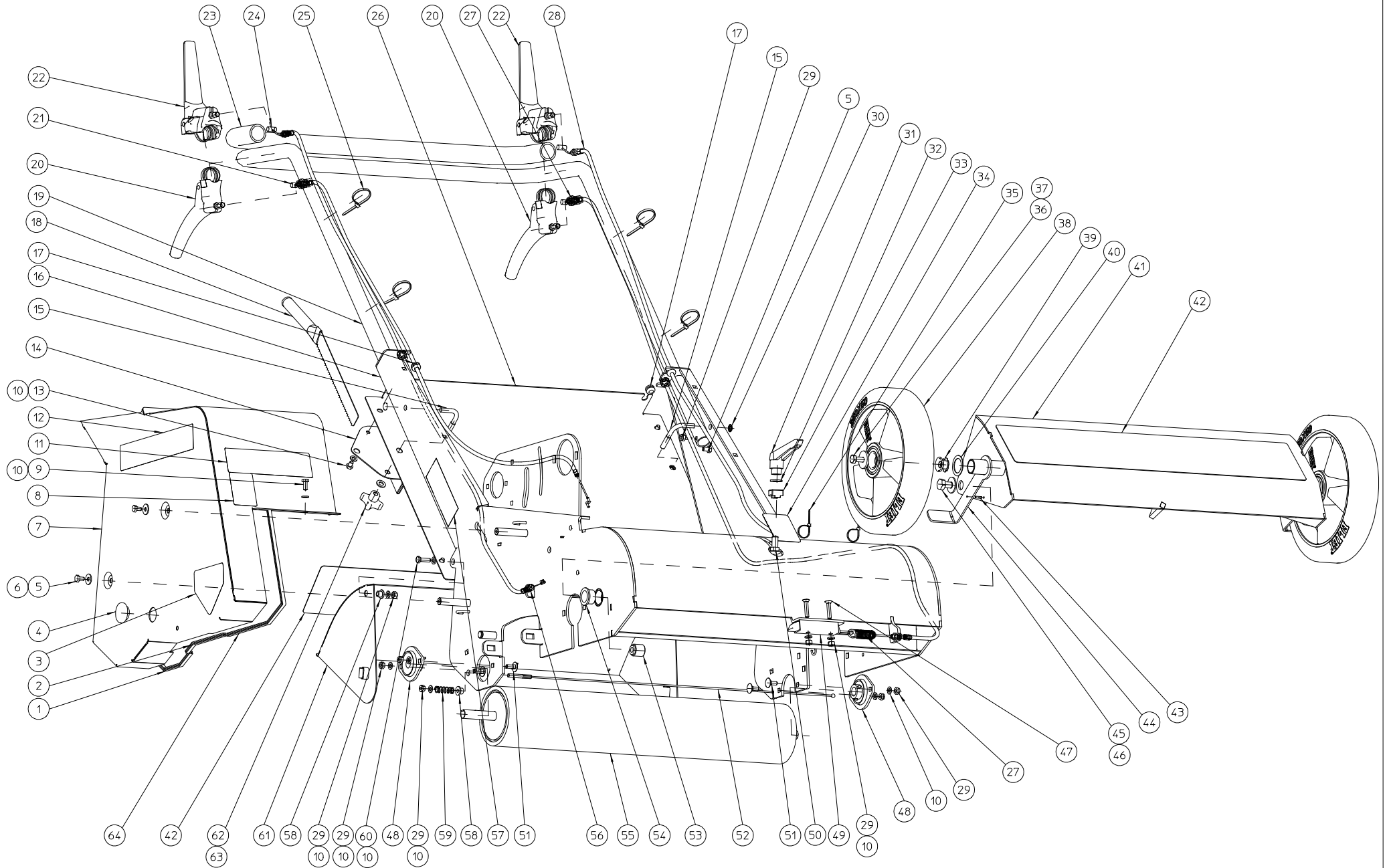


160					<b>DZC 600</b>	
NO	MMA 01 420 100	REV	1	DATE	2014/09/29	

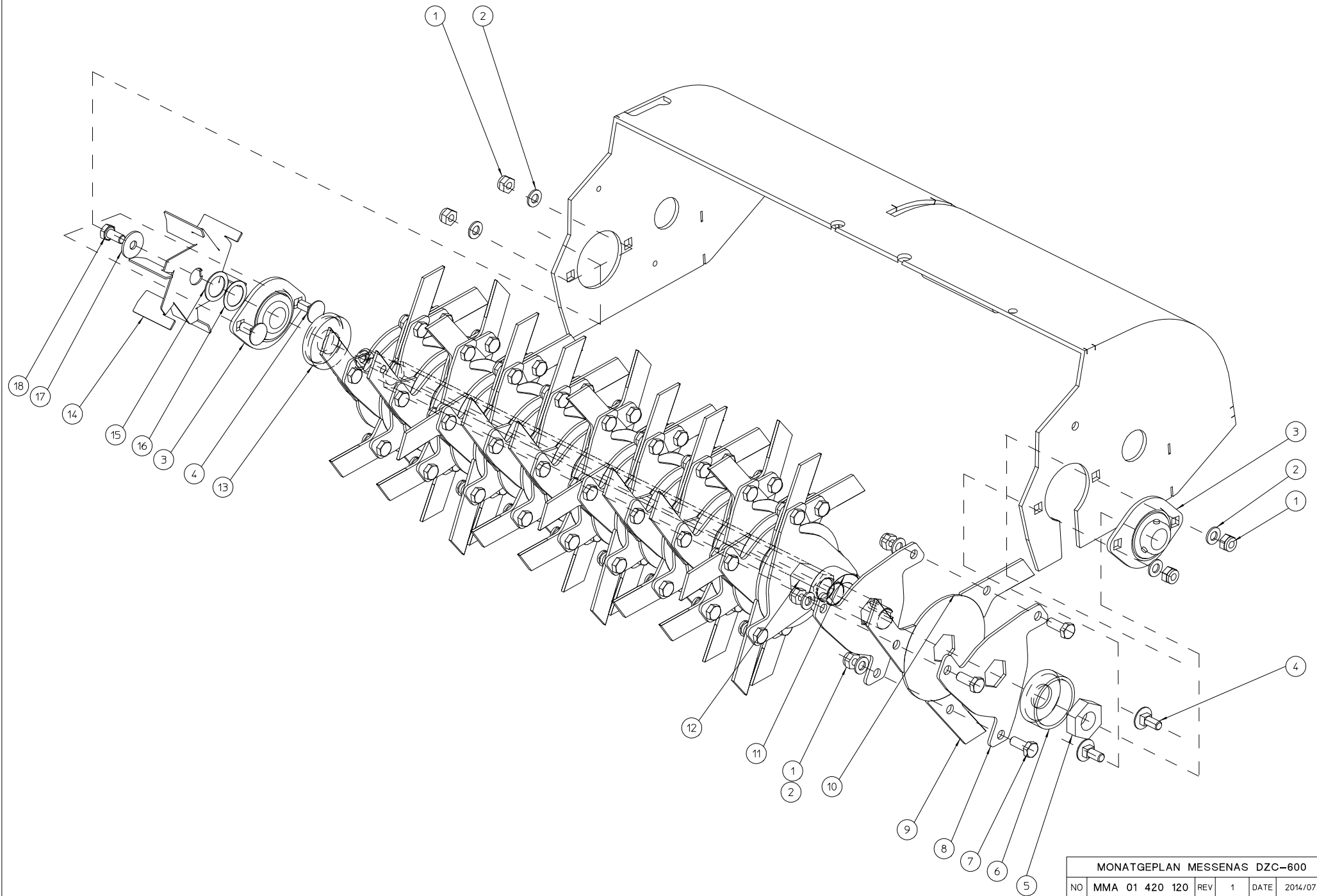
#	Order nr	article description	quantity
110	MMA 01 420 110	frame	0
120	MMA 01 420 120	bladeshaft	0
130	MMA 01 420 130	seeding unit	0
140	MMA 01 420 140	drive blade shaft	0
150	MMA 01 420 150	drive tractionroll	0
160	MMA 01 420 160	options	0



MONATAGE GESTEL					
NO	MMA 01 420 110	REV	1	DATE	2014/09/12

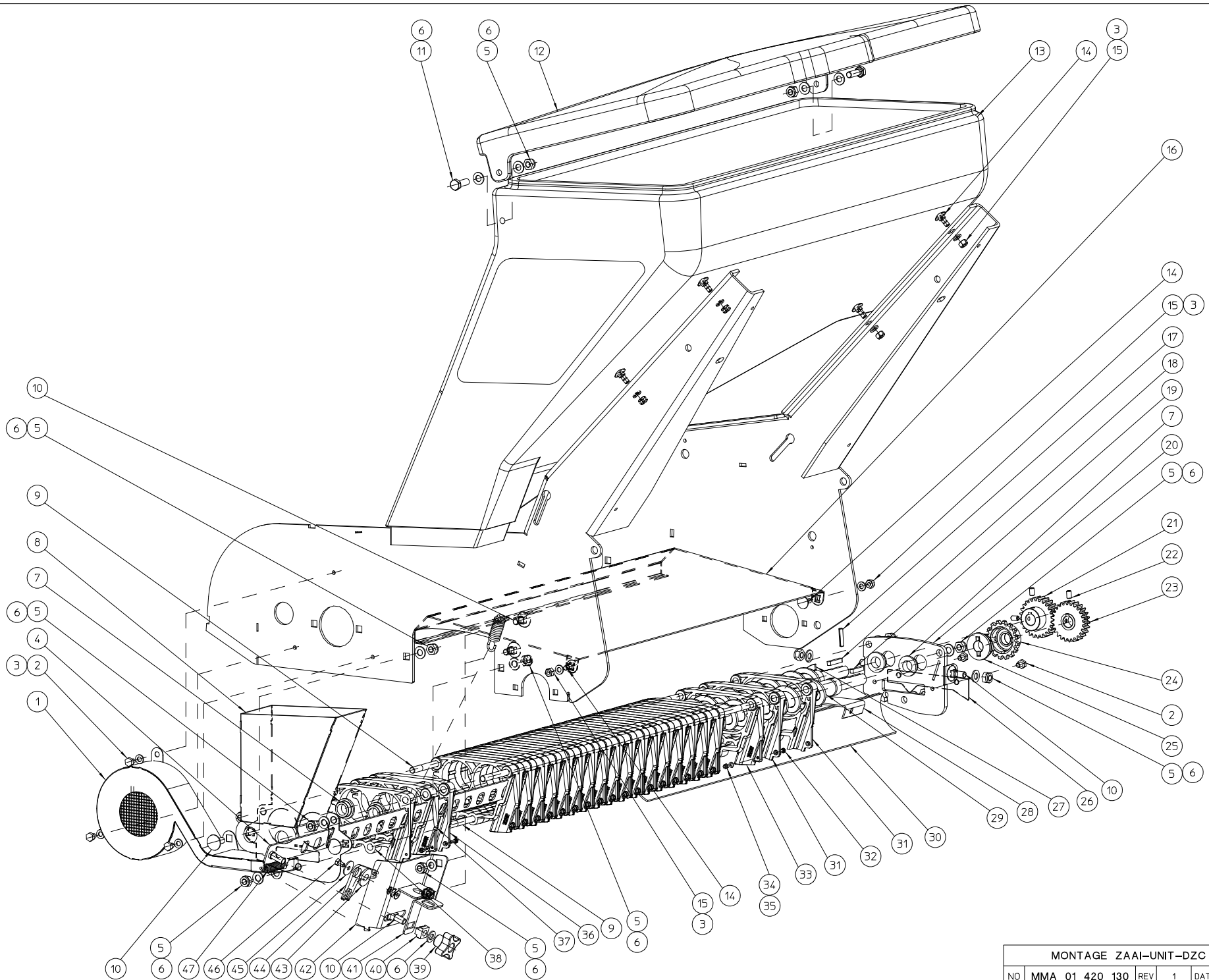
#	Order nr	article description	quantity
1	BR 000 910 615	rubber u-moulding 615mm	1
2	BR 000 910 130	rubber u-moulding 130mm	1
3	BQ 505 010 070	safety sticker 100x80 (hand cuts)	1
4	BR 500 102 500	rubber plug 25x2	1
5	BS 512 000 610	bolt m6x10 din 933	4
6	BS 532 006 183	washer m6x18x1.5	2
7	MPA 01 420 195	transmission guard	1
8	BQ 505 112 098	sticker sound level 98 db	1
9	BS 512 000 614	bolt m6x14 din 933	1
10	BS 531 000 600	washer m6 din 125	16
11	BQ 505 010 171	safety sticker 70x115 (pictogram)	1
12	BQ 501 251 010	label-dzc600 250x44	1
13	BS 512 000 608	bolt m6x8 din 933	4
14	MPA 01 420 235	tool holder	1
15	MPA 01 420 095	steer clamp	2
16	MPA 01 420 020	chassis	1
17	BR 000 208 030	rubber grommets 8/3	2
18	MPA 01 350 495	roll purifier	1
19	MPA 01 420 155	handlebars	1
20	BN 332 500 350	control handle	2
21	BK 153 181 220	control cable tractionroll	1
22	BN 332 500 140	control handle	2
23	BN 231 002 077	soft rubber grip dia 25mm (l=775mm)	1
24	BK 153 181 460	control cable drive knives	1
25	BE 043 010 140	wrap tie 140x3.5	4
26	MPA 01 420 190	closing plate	1
27	BK 153 180 350	cable operating latch	1
28	BK 153 180 351	cable operating seed slide	1
29	BS 502 000 600	self locking nut m6 din 985	11
30	BB 011 000 070	starlock 7mm	2
31	BN 530 110 830	clamp handle with internal thread m10	1
32	BS 531 001 000	washer m10 din 125	1
33	MPA 01 420 090	stopper depth control	1
34	BQ 501 251 030	sticker depth control blades 70 x 50	1
35	BE 043 010 100	wrap tie 100x2.5	2
36	BS 512 000 820	bolt m8x20 din 933	2
37	BS 532 008 306	washer m8x30x3	2
38	BW 325 025 000	rear wheel alu 250/50-60 (e 501 pro)	2
39	BS 508 700 805	insert with thread and spring round m8	2
40	BS 036 002 510	fitting ring 25x35x1mm din 988	2
41	MPA 01 420 030	hinge shell wheels	1
42	BQ 501 251 020	label-dzc600 250x44	2
43	BB 120 030 120	heavy duty roll pin 3x12mm din1481	2
44	MPA 01 420 100	wheel scraper	2
45	BS 512 001 016	bolt m10x16 din 933	2
46	BS 532 010 274	washer m10x27x2	2
47	BS 522 100 630	screw m6x30 din 7991	2
48	BL 801 101 500	bearing + flanges aspfl 202	2
49	BO 360 505 180	draw-bolt 0°	1
50	BS 554 101 025	bolt m8x60 din603	1
51	BS 554 100 616	bolt m6x16 din 603	4
52	BK 155 250 630	cable 2,5x 49 x 630mm	1

53	MPA 01 420 105	hinge axis shell	2
54	BR 112 201 500	nylon bushing with collar (20/24/30x15/2)	2
55	MPA 01 350 515	coated tractionroll	1
56	BS 501 900 600	nut m6 din 439	1
57	BQ 505 010 010	identity sticker ce 120x30	1
58	BR 112 060 800	nylon bushing with collar (6/10/15x8.5/2)	3
59	BV 925 000 010	compression spring 1,3 x 11 x 33,6	1
60	BS 512 000 620	bolt m6x20 din 933	2
61	MPA 01 420 115	protective shell behind	1
62	BN 630 808 400	lob knob 188-40 m8	2
63	BS 531 000 800	washer m8 din 125	2
64	BR 000 910 370	rubber u-moulding 370mm	1



MONATGEPLAN MESSENAS DZC-600						
NO	MMA 01 420 120	REV	1	DATE	2014/07/18	

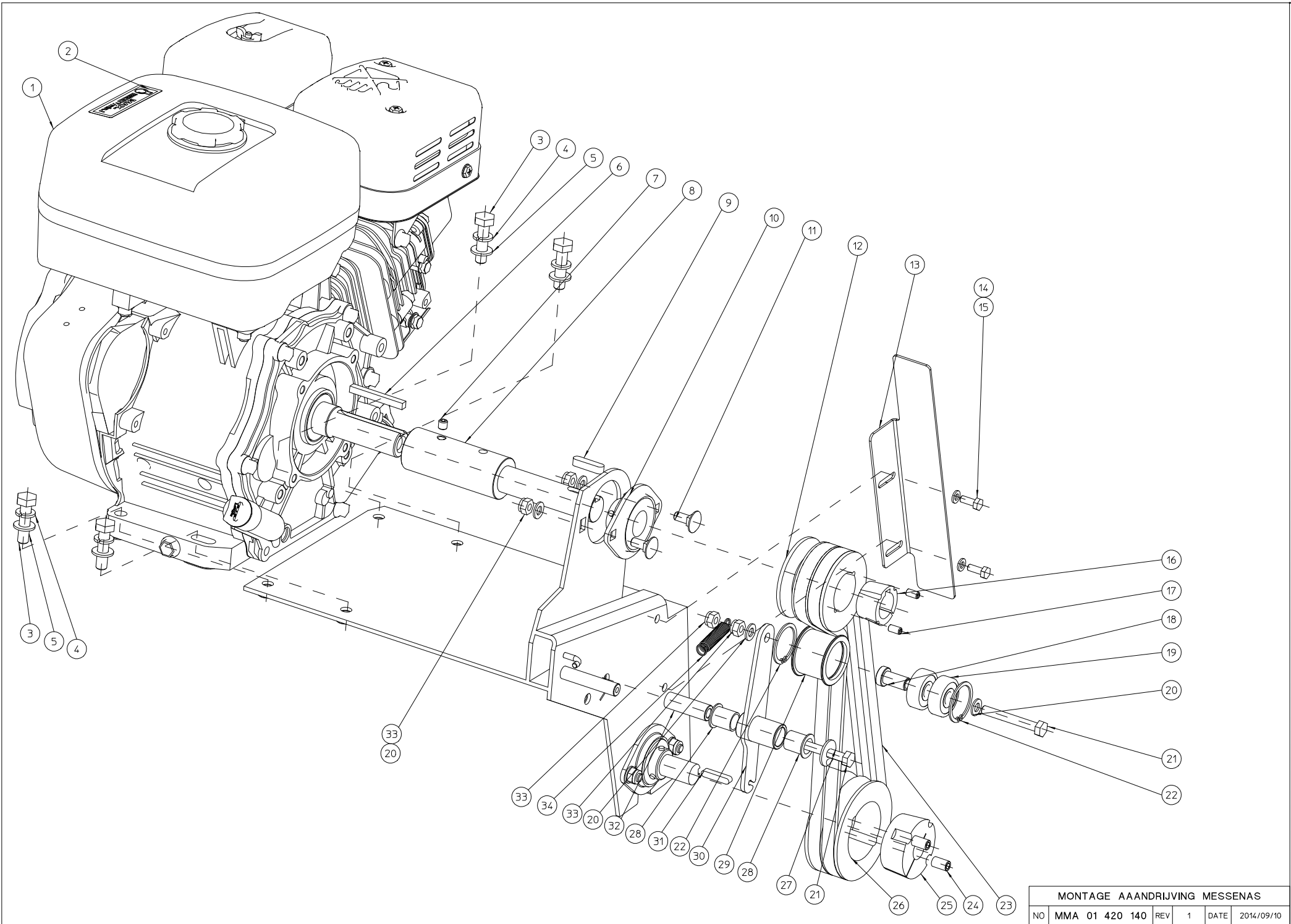
#	Order nr	article description	quantity
1	BS 502 000 800	self locking nut m8 din 985	61
2	BS 531 000 800	washer m8 din 125	61
3	BL 801 102 002	bearing + flanges ucpfl 204	2
4	BS 554 100 820	bolt m8x20 din 603	4
5	BS 501 902 200	nut m22x1.50 din 439	1
6	MPA 01 420 055	support washer blade right	1
7	BS 512 000 820	bolt m8x20 din 933	57
8	MPA 01 420 040	knife plate	38
9	BU 102 200 300	loose blade dzc 600	57
10	MPA 01 420 035	spacer knife	19
11	MPA 01 420 060	spacer knife plate	18
12	MPA 01 420 045	blade shaft	1
13	MPA 01 420 050	support washer blade left	1
14	MPA 01 420 135	fan helix	1
15	BS 036 002 010	fitting ring 20x28x1mm din 988	1
16	BS 036 002 005	fitting ring 20x28x0.5mm din 988	1
17	BS 532 008 254	washer m8x25x2	1
18	BS 512 170 816	bolt left hand thread m8 x 1.25	1



MONTAGE ZAAI-UNIT-DZC 600					
NO	MMA 01 420 130	REV	1	DATE	2014/07/15

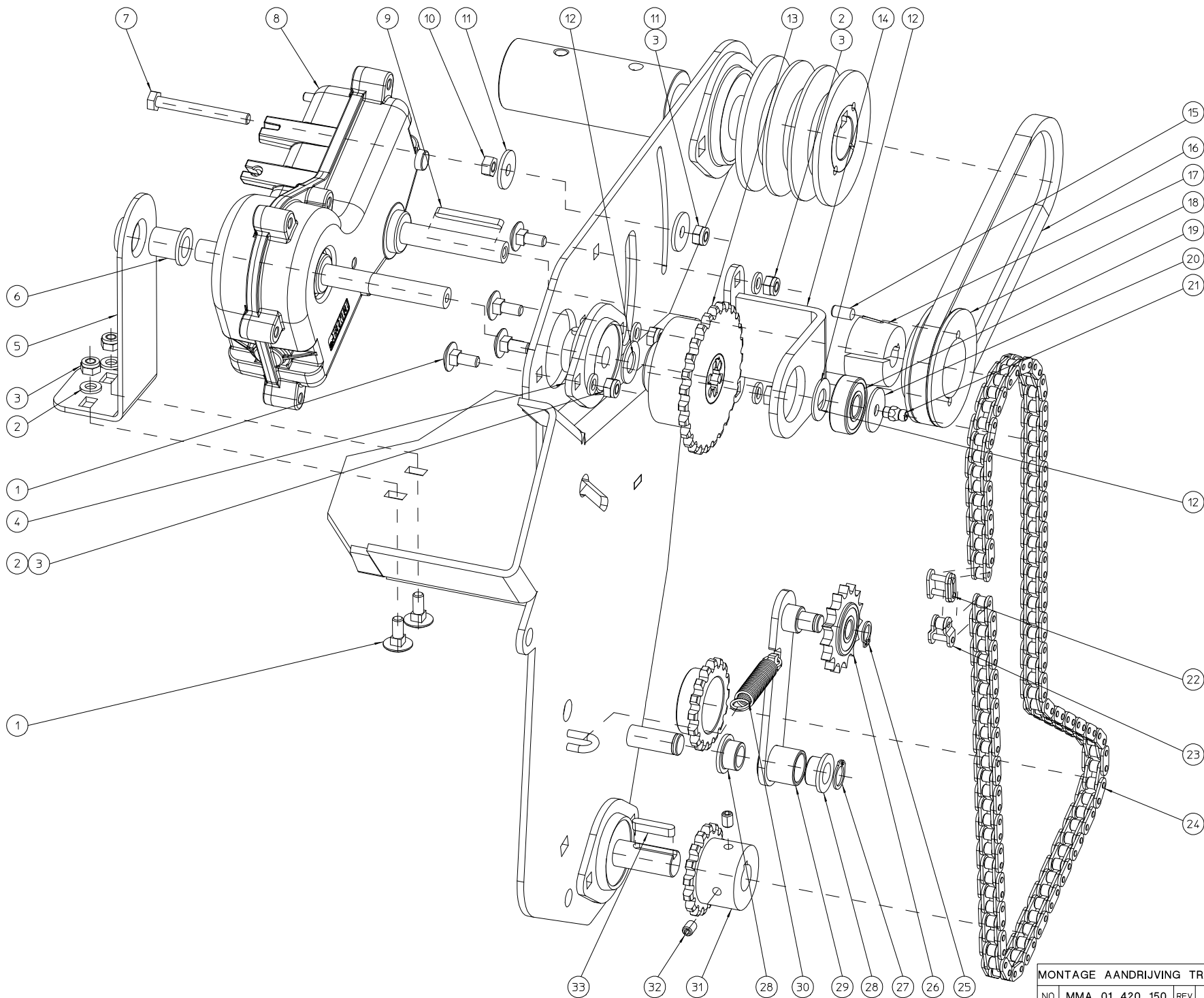


#	Order nr	article description	quantity
1	MPA 01 420 130	fan housing	1
2	BS 512 000 608	bolt m6x8 din 933	5
3	BS 531 000 600	washer m6 din 125	9
4	MPA 01 420 150	dosing plate	1
5	BS 502 000 800	self locking nut m8 din 985	14
6	BS 531 000 800	washer m8 din 125	17
7	BR 112 151 090	nylon bushing with collar (15/21/27x10/3)	4
8	MPA 01 420 085	seed hopper	1
9	MPA 01 420 070	clamprod	3
10	BS 554 100 820	bolt m8x20 din 603	7
11	BS 512 000 825	bolt m8x25 din 933	2
12	BR 930 040 020	cover seed container	1
13	BR 930 040 010	seed container	1
14	BS 554 100 616	bolt m6x16 din 603	6
15	BS 502 000 600	self locking nut m6 din 985	6
16	MPA 01 420 140	protection seed unit	1
17	BB 120 050 240	locking 5x24 din 1481	1
18	BB 351 050 532	key 5x5x32 din 6885a	1
19	BB 341 050 525	key 5x5x25 din 6880	1
20	MPA 01 420 075	closing plate right dosing unit	1
21	BA 602 002 502	gear m2 25t l=31mm	1
22	BS 023 000 610	set screw m6x10 din 916	4
23	BA 602 002 503	gear m2 25t l=12.5mm	1
24	BA 171 016 151	sprocket simplex 3/8"x7/32" with gear	1
25	BM 262 000 009	rattle sprocket	1
26	MPA 01 420 180	seal plate air duct	1
27	MPA 01 420 205	archimedes' screw drain	1
28	MPA 01 420 230	u support metering unit	1
29	MPA 01 420 065	archimedes' screw	1
30	BY 431 306 059	pvc strip Ø5x60x595	1
31	BR 930 040 060	dispensing unit left	2
32	BS 512 000 312	bolt m3x12 din 933	19
33	BR 930 040 070	dispensing unit right	1
34	BS 502 000 300	self locking nut m3 din 985	19
35	BS 531 000 300	washer m3 din 125	19
36	BR 930 040 030	seedunit right	18
37	BR 930 040 040	seedunit left	18
38	BR 930 040 050	end seedunitunit	1
39	BN 630 808 400	lob knob 188-40 m8	1
40	MPA 01 420 170	tightening part	1
41	MPA 01 420 175	dose check plate	1
42	MPA 01 420 160	hinge support dosing plate	1
43	BR 112 100 600	nylon bushing with collar (10/13.5/25x6/2.5)	1
44	MPA 01 420 165	hinge lift	1
45	BS 532 005 202	washer m5x20x1.5	1
46	BS 512 000 508	bolt m5x8 din 933	1
47	BV 912 000 010	recall spring	1

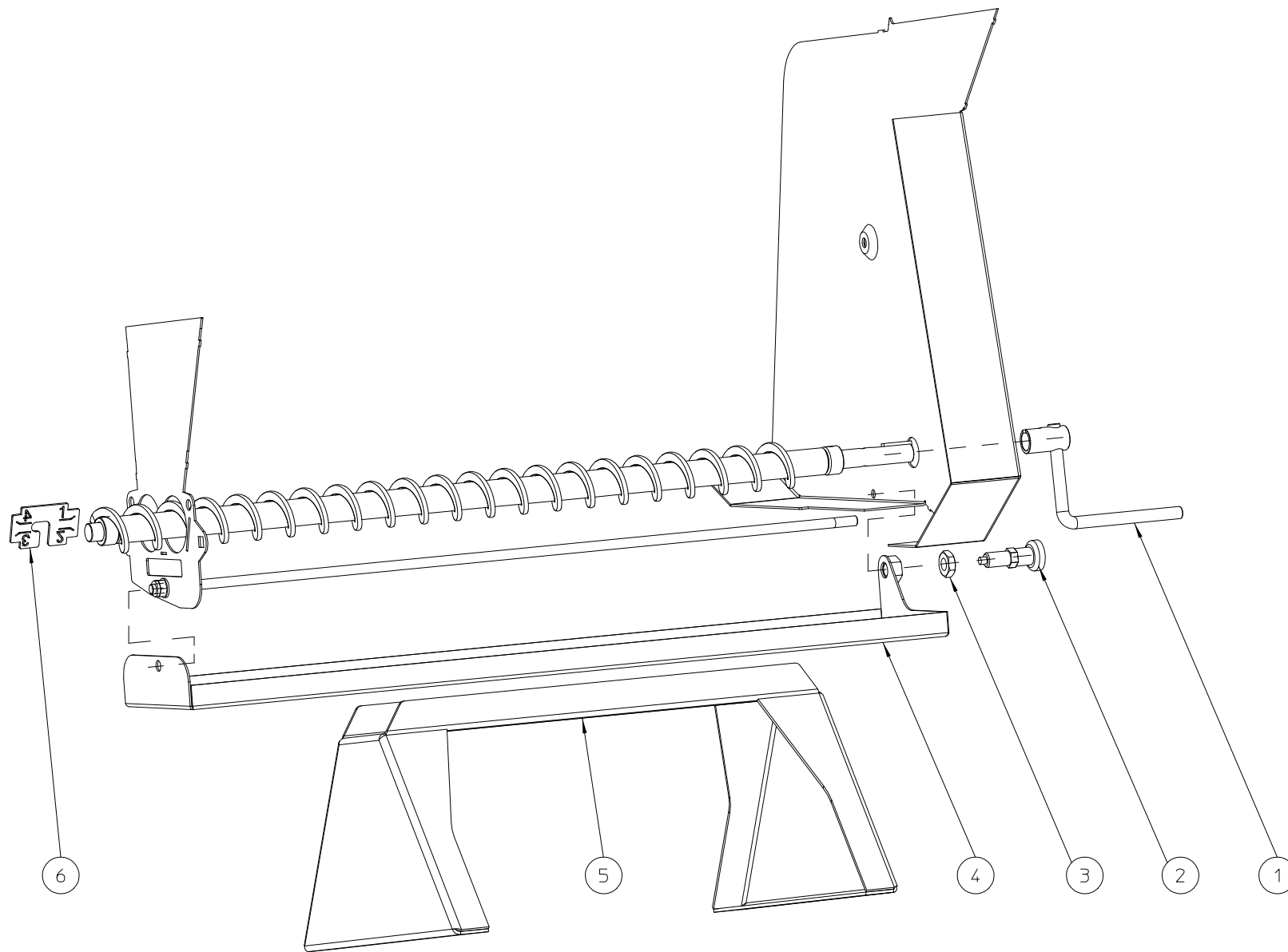


MONTAGE AAANDRIJVING MESSENAS						
NO	MMA 01 420 140	REV	1	DATE	2014/09/10	

#	Order nr	article description	quantity
1	BM 204 109 000	subaru ex27	1
2	BQ 505 010 020	sticker max 2800 rpm 90x25	1
3	BS 511 001 040	bolt m10x40 din 931	4
4	BS 533 001 000	lock washer m10 din 127b	4
5	BS 531 001 000	washer m10 din 125	4
6	BB 342 060 657	key 6.35x6.35x57 din 6880	1
7	BS 023 000 808	set screw m8x8 din 916	1
8	MPA 01 350 125	extention engineshaft	1
9	BB 351 080 732	key 8x7x32 din 6885a	1
10	BL 801 102 500	bearing + flanges aspfl 205	1
11	BS 554 100 820	bolt m8x20 din 603	2
12	BA 562 707 130	pulley spa iii 71 tl1108	1
13	MPA 01 350 190	belt guide	1
14	BS 531 000 600	washer m6 din 125	2
15	BS 512 000 616	bolt m6x16 din 933	2
16	BB 501 112 500	taper lock tl 1108-25	1
17	BB 501 306 130	set screw 1/4"x1/2"	2
18	MPA 01 350 040	spacer belt tightener galvanized	1
19	BL 001 203 703	bearing 6301 2rz	2
20	BS 531 000 800	washer m8 din 125	4
21	BS 511 000 844	bolt m8x60 din 931	2
22	BB 002 000 370	retaining ring 32 din 472	2
23	BA 527 708 380	belt 4l 330	2
24	BB 501 310 160	set screw 3/8"x5/8"	2
25	BB 501 132 000	taper lock tl 1610-20	1
26	BA 562 709 021	pulley spa ii 90 tl1610	1
27	BS 532 008 254	washer m8x25x2	1
28	BR 112 152 100	nylon bushing with collar (15.4/18/23x21/1)	2
29	MPA 01 350 030	pressure roller belt tightener	1
30	MPA 01 350 025	support pressure roller	1
31	BB 351 060 630	key 6x6x30 din 6885a	1
32	MPA 01 350 035	thumb belt tightener	1
33	BS 502 000 800	self locking nut m8 din 985	4
34	BV 011 011 005	spring 1x11x55	1



#	Order nr	article description	quantity
1	BS 554 100 616	bolt m6x16 din 603	6
2	BS 531 000 600	washer m6 din 125	6
3	BS 502 000 600	self locking nut m6 din 985	7
4	BL 801 101 200	bearing + flanges aspfl 201	1
5	MPA 01 350 135	support gear box	1
6	BR 112 121 900	nylon bushing with collar (12/16/21x19/2)	1
7	BS 512 000 643	bolt m6x55 din 933	1
8	BA 670 405 405	reduction gearboxes e600 compactor	1
9	BB 351 040 440	key 4x4x40 din 6885a	1
10	BS 501 000 600	nut m6 din 934	1
11	BS 532 006 224	washer m6x22x2	2
12	BR 111 120 100	nylon bushing (12.2x24x1.3)	2
13	BA 171 027 289	sprocket simplex 3/8"x7/32" 27t + clutch mechanism	1
14	MPA 01 350 260	bearing support	1
15	BB 501 306 130	set screw 1/4"x1/2"	2
16	BA 521 404 870	belt z 487	1
17	BB 501 111 200	taper lock tl 1108-12	1
18	BA 561 706 310	pulley spz 63 tl1108	1
19	BL 001 203 203	bearing 6201 zz	1
20	BS 532 006 253	washer m6x25x1.5	1
21	BY 100 106 100	grease fitting m6 din 71412	1
22	BA 151 200 000	connecting chain link simplex 3/8"x7/32"	1
23	BA 151 400 000	connecting chain link simplex (1/2) 3/8"x7/32"	1
24	BA 101 097 020	chain simplex 3/8"x7/32" 97l	1
25	BB 001 000 100	retaining ring 10 din 471	1
26	BA 198 010 150	sprocket simplex 3/8"x7/32" 15t + bearing	1
27	BB 001 000 120	retaining ring 12 din 471	1
28	BR 112 121 090	nylon bushing with collar (12/16/22x10/2)	2
29	MPA 01 420 110	support chain spanner	1
30	BV 011 311 005	spring 1,3x11x55	1
31	BA 171 016 002	sprocket simplex 3/8"x7/32" 16t	1
32	BS 023 000 608	set screw m6x8 din 916	2
33	BB 351 050 525	key 5x5x25 din 6885a	1



OPTTIES DZC-600					
NO	MMA 01 420 160	REV	1	DATE	2014/09/29

#	Order nr	article description	quantity
1	MPA 01 420 120	turning lever screw	1
2	BN 000 212 550	locking bolts with locking groove	1
3	BS 501 901 202	nut m12x1 din 439b	1
4	MPA 01 420 185	gauging receptacle dzc600	1
5	MPA 01 420 220	easy clean	1
6	MPA 01 420 210	seed flow adjustment tool	1